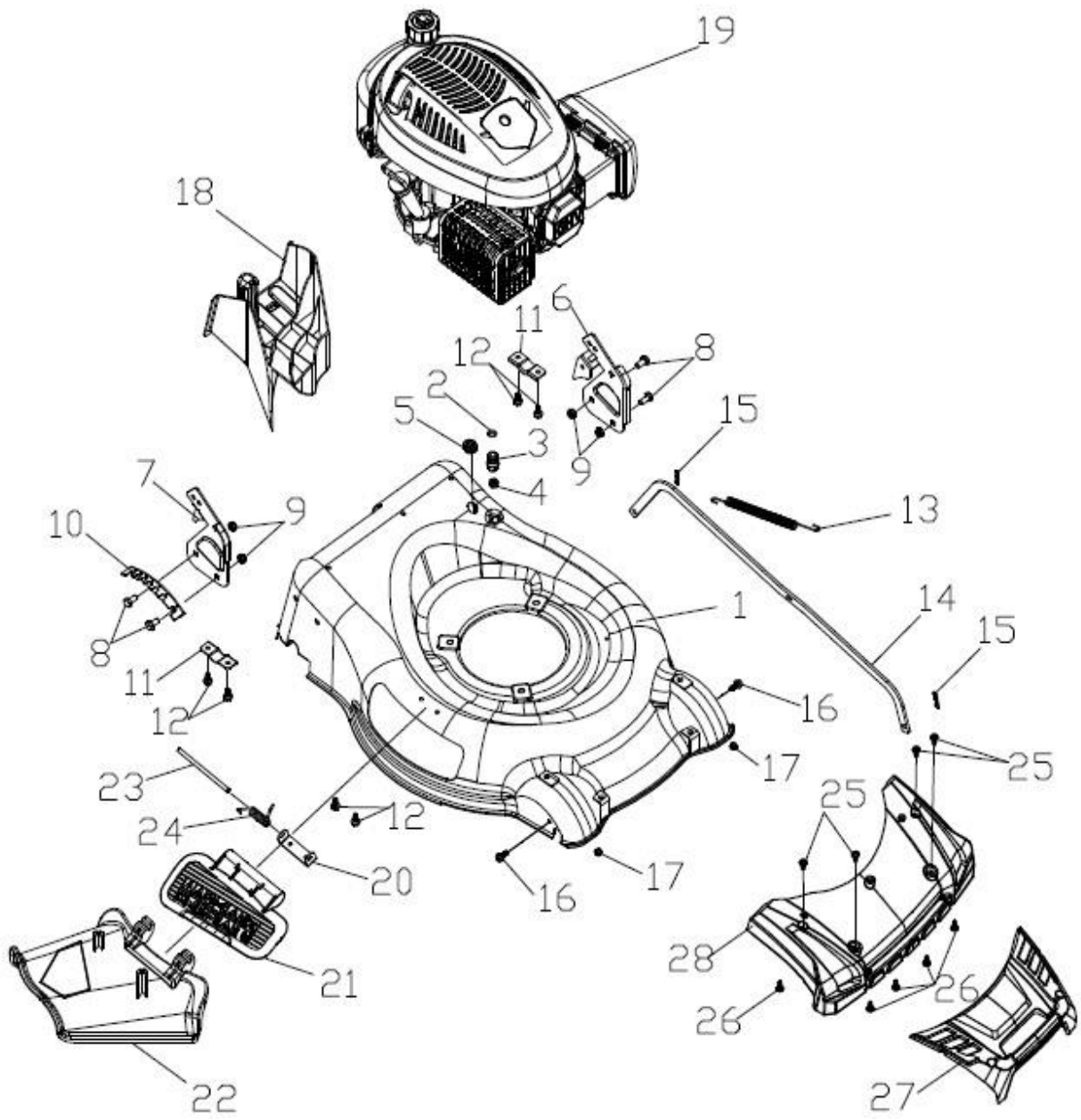


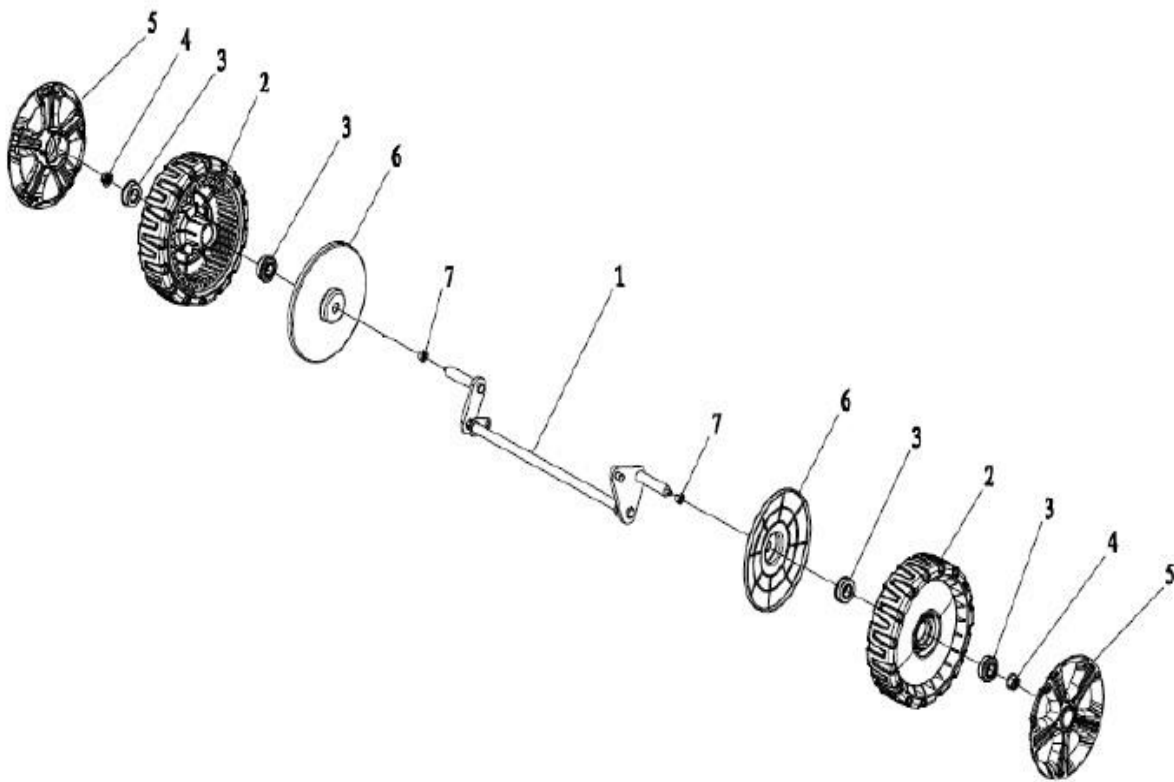
Pol.č.	Item description
1	foam pipe
2	stop lever
3	Self-propelled Lever
4	upper handrail
5	Rope Guide
6	Cap nut
7	Brake Cable Assy plate
8	Bolt
9	Self-locking nut
10	Plastic stopper
11	brake cable
12	selfpropelled cable
13	quick fix knob

14	Pin
15	Quick Fix Handle
16	lock for fast fix handle
17	flat washer
18	lock nut
19	Hexagon nut
20	lower handrail
21	fastener
22	Hexagon head bolts
23	Half round head square
24	neck boltsbolts Hex lock nut
25	triangle knob

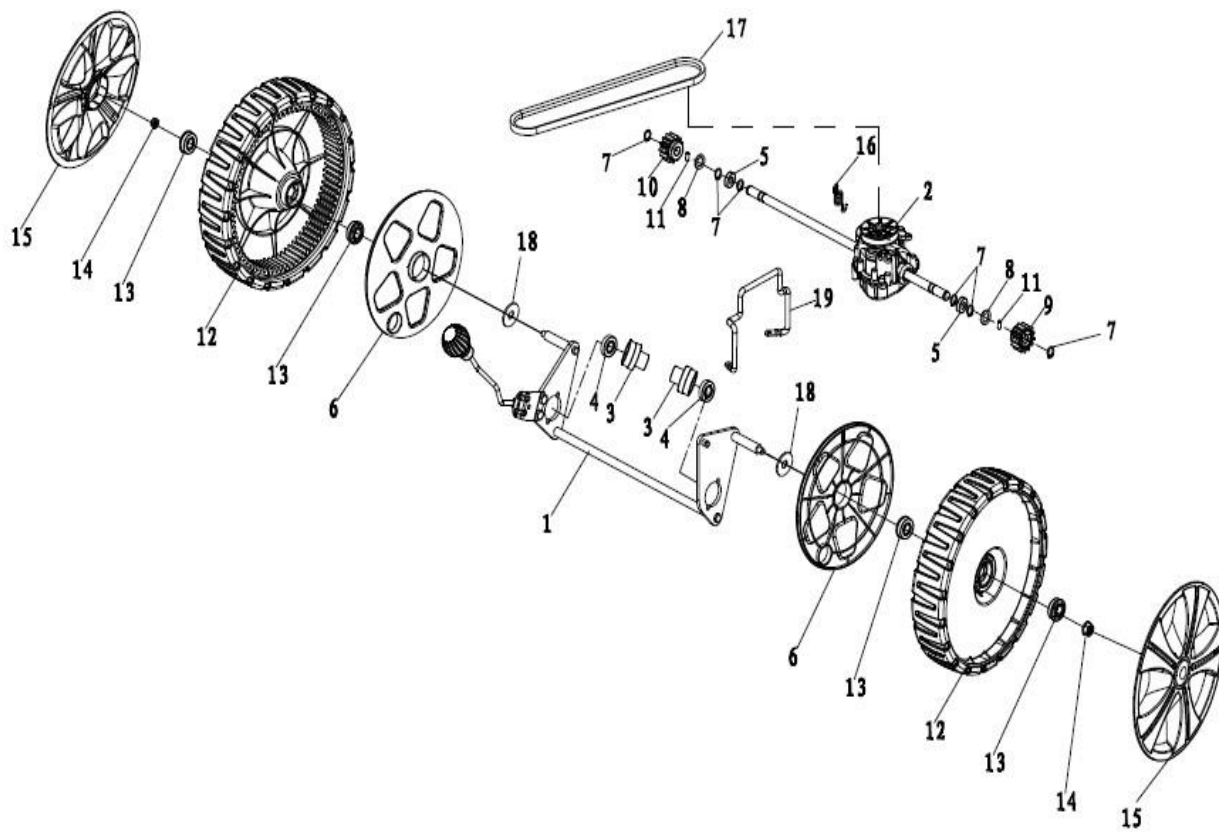


Pol.č.	Item description
1	deck welding assy.
2	"O" ring
3	inlet
4	Pipe connector nut
5	cable stopper
6	left handle bracket
7	left handle bracket
8	Hexagon head bolts
9	Hex lock nut
10	height adjustment board
11	rear drive bracket
12	Hex tapping screws
13	Pull Spring for Pull Rod
14	Height Adjustment Pull Rod

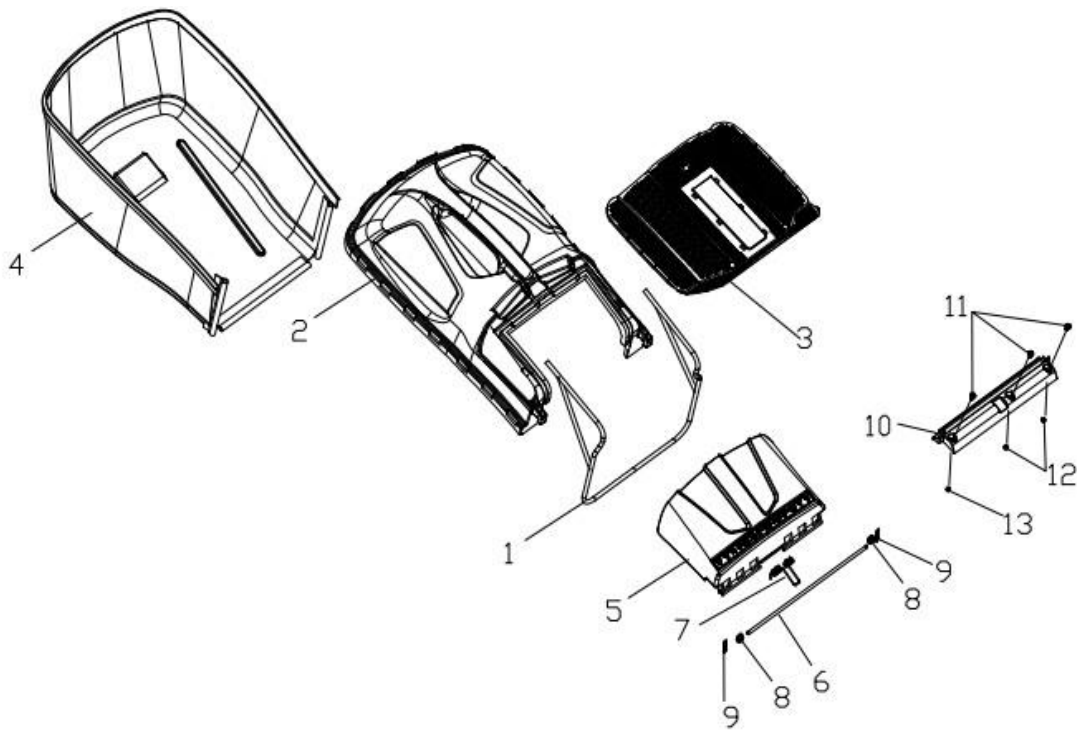
15	R type pin
16	Bolt
17	Self-locking nut
18	mulching plug
19	petrol engine
20	Bracket plate for defelctor
21	mulching board
22	side discharge cover
23	Mulch Shaft
24	mulch board spring
25	Phillips flat head self tapping screw
26	tapping screw
27	front mask
28	front mask



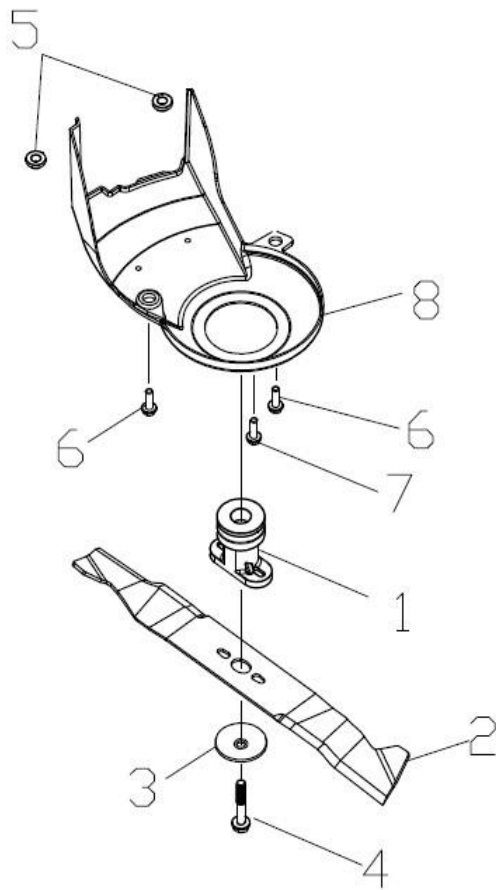
Pol.č.	Item description
1	front drive assy.
2	wheel assy.
3	wheel punch bearing
4	Self-locking nut
5	outer cover of hub
6	inner cover of hub
7	front bracket fastener





1	rear drive assy.	
	height adjustment ball	
2	selfpropelled assy.	
3	rear wheel axle sleeve	
4	bearing	
5	rear wheel axle sleeve	
6	inner cover of hub	
7	spring washer	
8	selfpropelled ratchet washer	
9	Ratchet Wheel L	
10	Ratchet Wheel R	
11	bratchet pin	
12	wheel assy.	
13	wheel punch bearing	
14	Self-locking nut	
15	outer cover of hub	
16	selfpropelled spring	
17	v belt	
18	Gasket	
19	Brake spring	









Pol.č.	Item description
1	fabric metal frame
2	top of grass box
3	filter net of grass bag
4	fabric grass bag
5	rear discharge cover
6	Shaft for rear discharge cover
7	cover spring
8	lock washer
9	R type pin
10	rear discharge cover dust proof board
11	Bolt
12	Self-locking nut
13	Cap nut



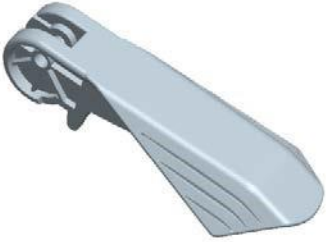





Pol.č.	Item description
1	Blade Adapter Assy
2	blade
3	blade washer
4	Inch hex flange bolts
5	Chassis bushing
6	Hex flange bolts
7	Hex flange bolts
8	belt cover



1	Blade Adapter Assy	
2	blade	

3	wheel assy.	
4	outer cover of hub	
5	wheel assy.	
6	outer cover of hub	

7	belt cover	
8	v belt	

9	mulching board	
10	side discharge cover	
11	quick fix knob	
12	Pin	
13	Quick Fix Handle	

14	flat washer	
----	-------------	---

15	lock nut	 A 3D rendering of a lock nut, which is a hexagonal nut with a raised, circular locking collar around its top edge.
16	Hexagon nut	 A 3D rendering of a standard hexagon nut, showing its hexagonal shape and threaded interior.